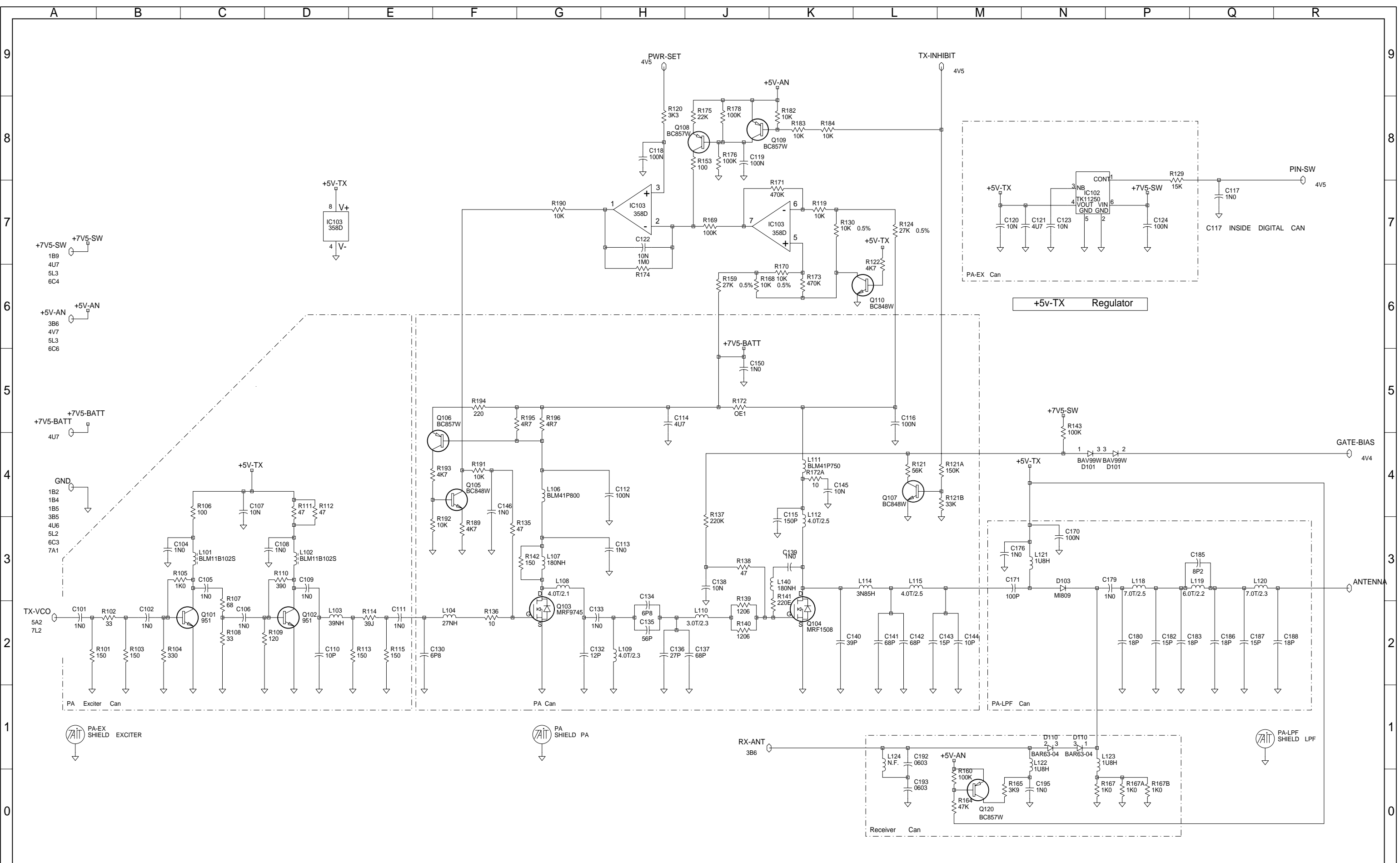


REV/ISS	AMENDMENTS	DRAWN	CHKD	D.O.	APVD	DATE
04F	4 SPRING PINS NOW 356-01077 SMT CCO 1401-001	TS				13-09-99
04 E	CHANGED PASTE FOR SMALL TCXO	BRD				31-05-99
04 D	CHANGED CAN NAMES TO MATCH BAAN	BRD				19-04-99
04 A	MORE PAMODS	DBH		DBH	CI	31/03/98
03 A	UPDATE TO INCL. NEW PA LINEUP	DJW/MJ				29/04/98

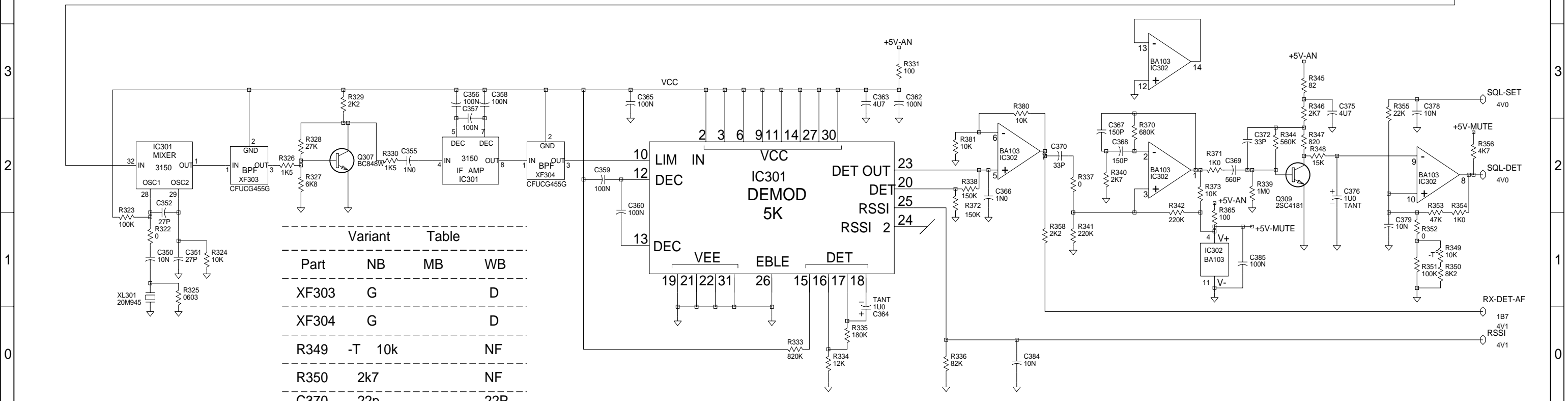
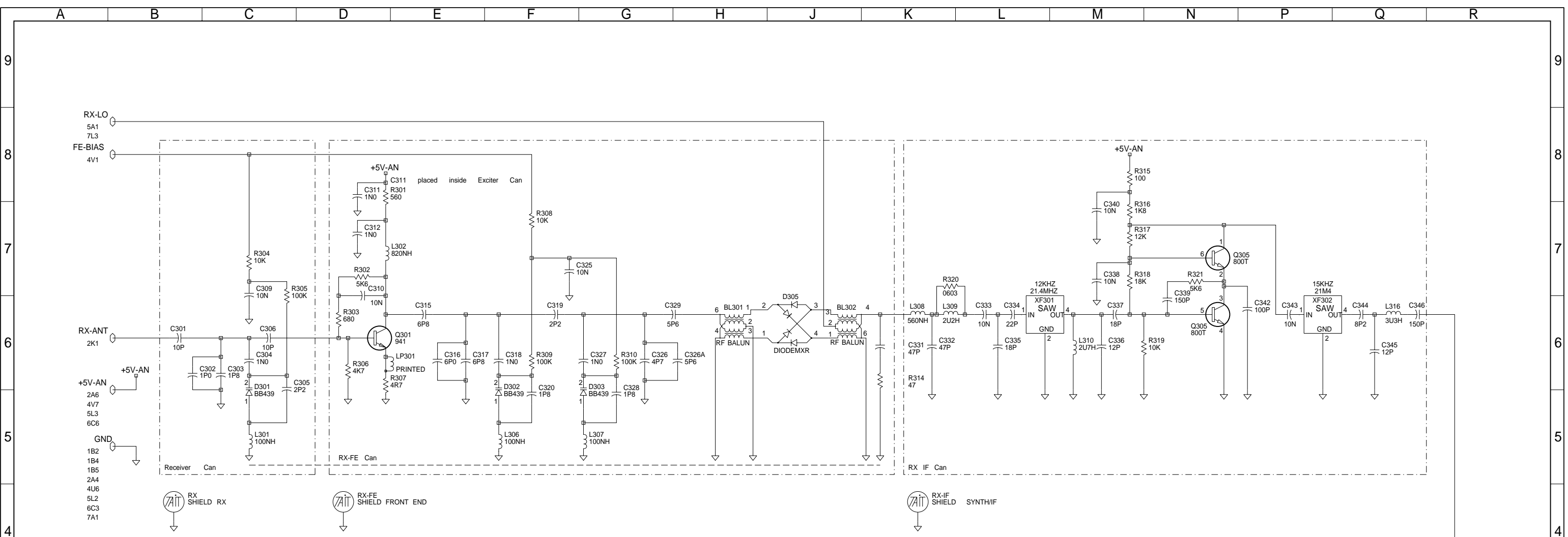
VHF
Tait Orca

© TAIT ELECTRONICS			
ORCA	:TP010-3122	136-174MHZ	
SYSTEM DIAGRAM			
IPN:	ISSUE:	ID:	
220-01401-04	F	2.S.C. 1	
PROJECT:	DESIGNER:	FILE NAME:	FILE DATE:
TAIT ORCA	BRD	140104E	13-09-99
			NO.SHEETS: 7



03A	NEW PA LINEUP (DW,BC-S,LL)	DJW			29/04/98
REV/ISS	AMENDMENTS	DRAWN	CHKD	D.O.	APVD DATE

© TAIT ELECTRONICS
 ORCA :TP010-3122 136-174MHZ
 POWER AMPLIFIER
 IPN: 220-01401-04 ISSUE: F ID: 2.S.C. 2
 PROJECT: TAIT ORCA DESIGNER: BRD FILE NAME: 140104E FILE DATE: 13-09-99 NO.SHEETS: 7



Variant Table

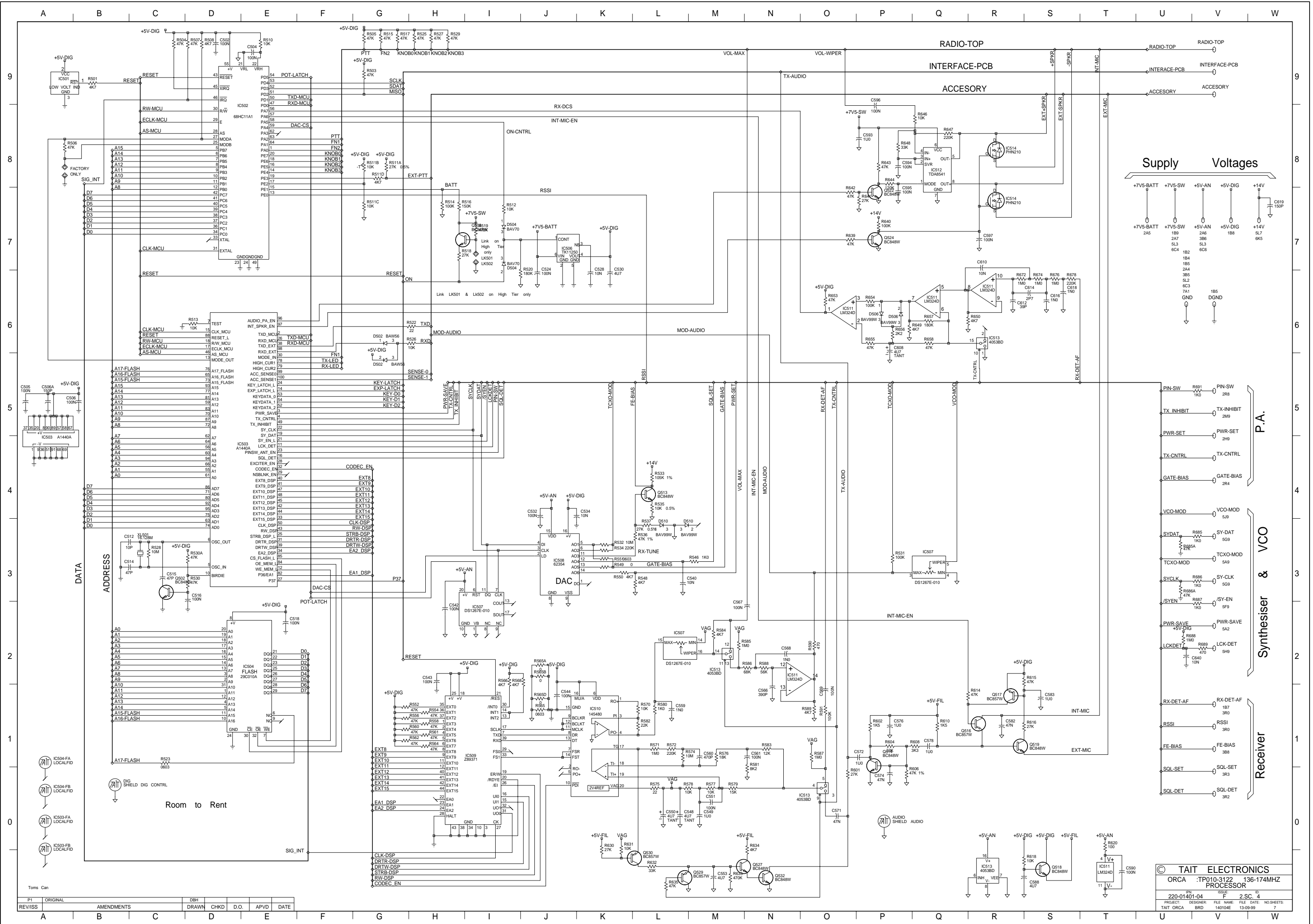
Part	NB	MB	WB
XF303	G		D
XF304	G		D
R349	-T	10k	NF
R350		2k7	NF
C370		22p	22P
C369		330P	330P

04C	500185	ROTATED TANT	C364	180	DEG	BRD			05-03-99	
03 A		COMP.VALUE CHANGES				DJW			28/04/98	
REV/ISS		AMENDMENTS				DRAWN	CHKD	D.O.	APVD	DATE

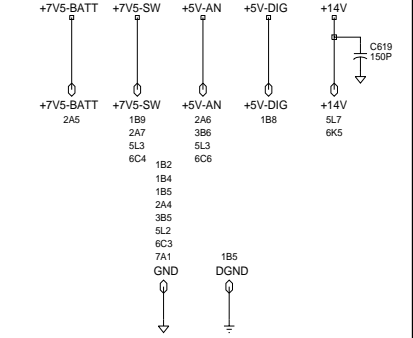
© TAIT ELECTRONICS
ORCA :TP010-3122 136-174MHZ RECEIVER

IPN: 220-01401-04
ISSUE: F
ID: 2.S.C. 3

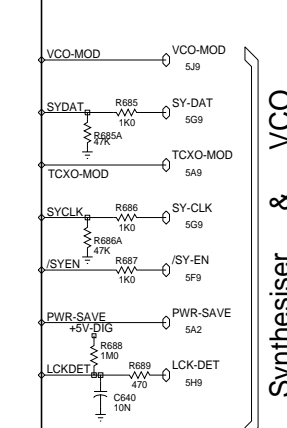
PROJECT: TAIT ORCA
DESIGNER: BRD
FILE NAME: 140104E
DATE: 13-09-99
NO.SHEETS: 7



Supply Voltages



P.A.



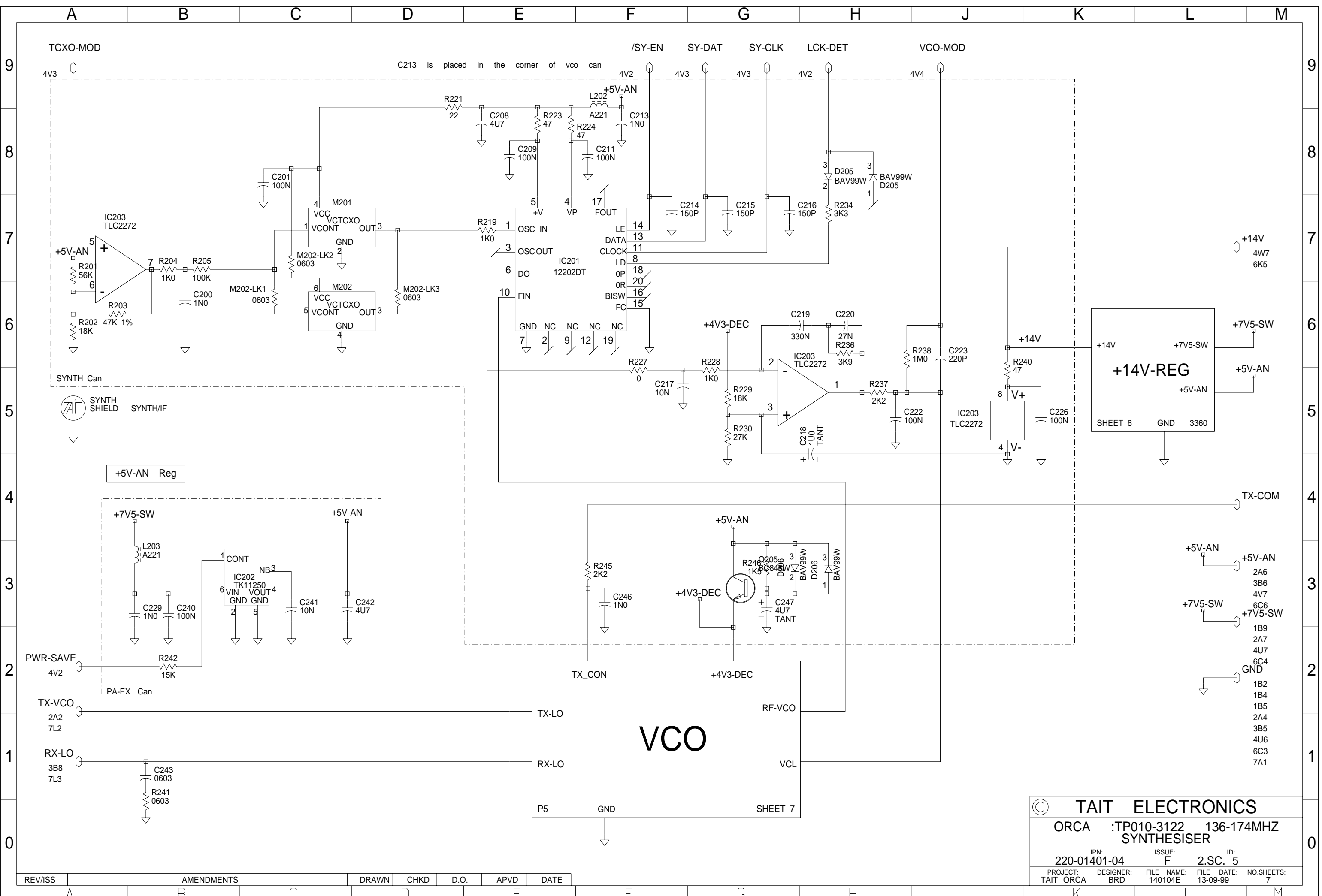
Synthesiser & VCO

Receiver

© TAIT ELECTRONICS
 ORCA :TP010-3122 136-174MHZ
 PROCESSOR
 220-01401-04
 TAIT ORCA BRD 140104E 13-09-99

REV/ISS	ORIGINAL	AMENDMENTS	DRAWN	CHKD	D.O.	APVD	DATE
P1							

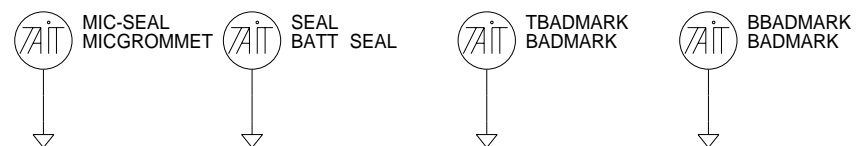
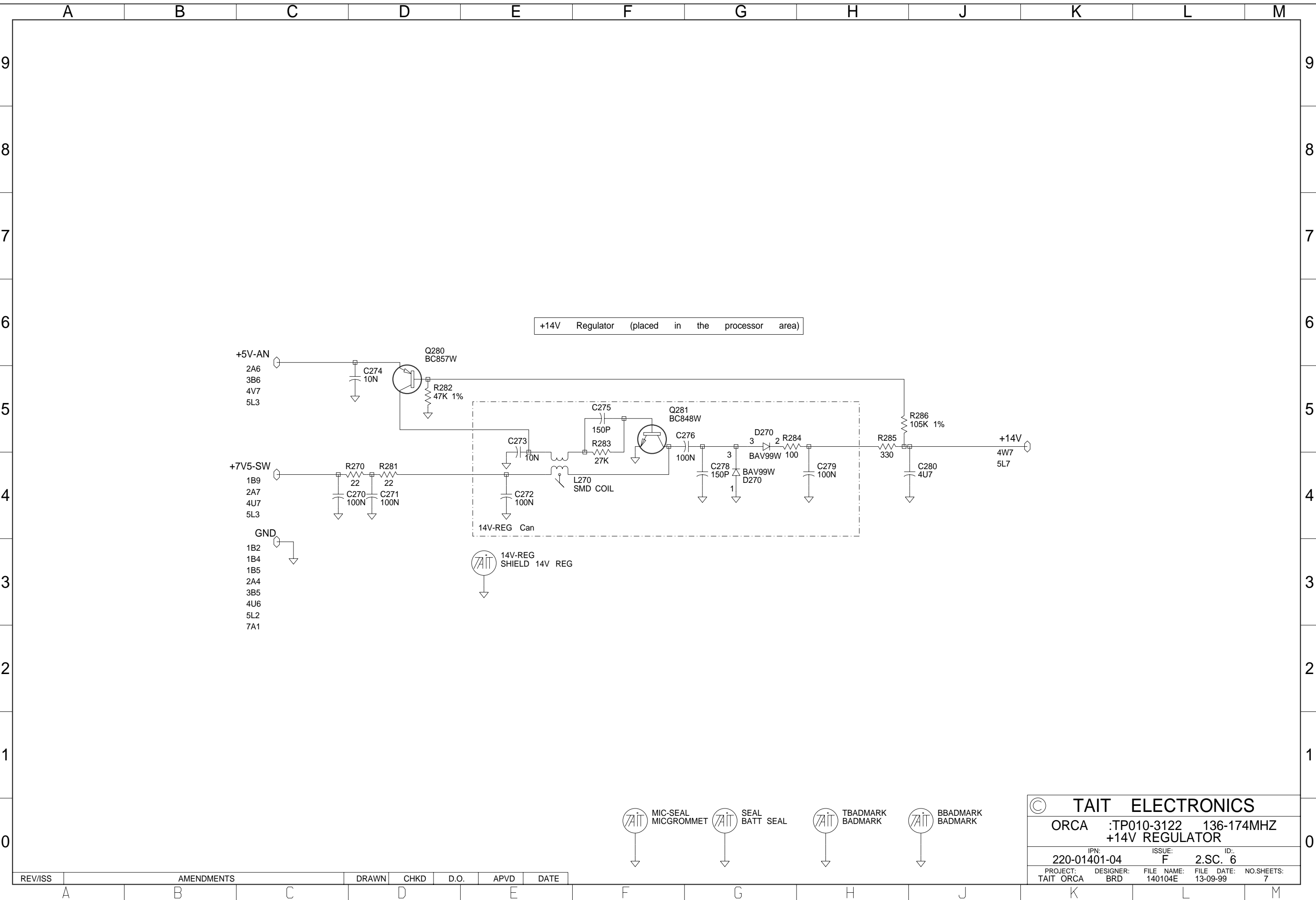
Toms Can



© TAIT ELECTRONICS
 ORCA :TP010-3122 136-174MHZ SYNTHESISER
 IPN: 220-01401-04 ISSUE: F ID: 2.SC. 5
 PROJECT: TAIT ORCA DESIGNER: BRD FILE NAME: 140104E FILE DATE: 13-09-99 NO.SHEETS: 7

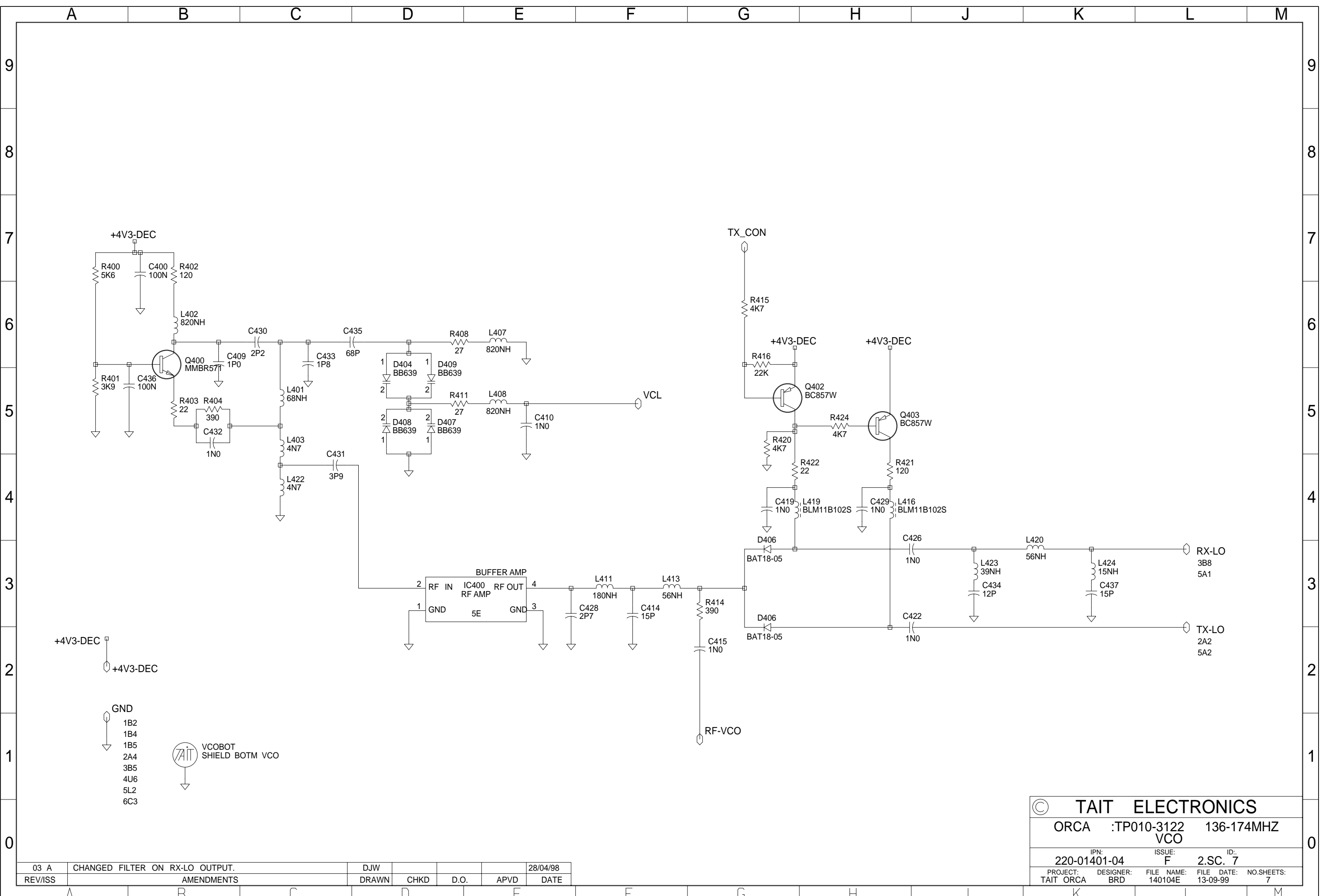
REV/ISS	AMENDMENTS	DRAWN	CHKD	D.O.	APVD	DATE

- +5V-AN 2A6
- +5V-AN 3B6
- 4V7 4V7
- +7V5-SW 6C6
- +7V5-SW 7A1
- 1B9
- 2A7
- 4U7
- 6C4
- GND
- 1B2
- 1B4
- 1B5
- 2A4
- 3B5
- 4U6
- 6C3
- 7A1



TAIT ELECTRONICS				
ORCA		TP010-3122	136-174MHZ	
+14V REGULATOR				
IPN:		ISSUE:	ID:	
220-01401-04		F	2.SC. 6	
PROJECT:	DESIGNER:	FILE NAME:	FILE DATE:	NO.SHEETS:
TAIT ORCA	BRD	140104E	13-09-99	7

REV/ISS	AMENDMENTS	DRAWN	CHKD	D.O.	APVD	DATE



© TAIT ELECTRONICS				
ORCA	:TP010-3122	136-174MHZ	VCO	
220-01401-04	ISSUE: F	ID: 2.SC. 7		
PROJECT: TAIT ORCA	DESIGNER: BRD	FILE NAME: 140104E	FILE DATE: 13-09-99	NO.SHEETS: 7

03 A	CHANGED FILTER ON RX-LO OUTPUT.	DJW				28/04/98
REV/ISS	AMENDMENTS	DRAWN	CHKD	D.O.	APVD	DATE